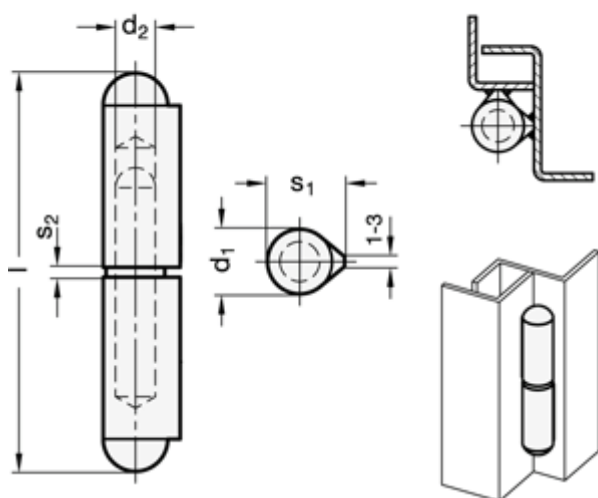


Article number: 201282180AL

Description: E+G Hinge for weld mounting GN 128.2-180-AL
Aluminium hinge/pin stainless 1.4301

Measures



d1	= 20
d2	= 14
Length l	= 180
s1	= 25.5
s2	= 3